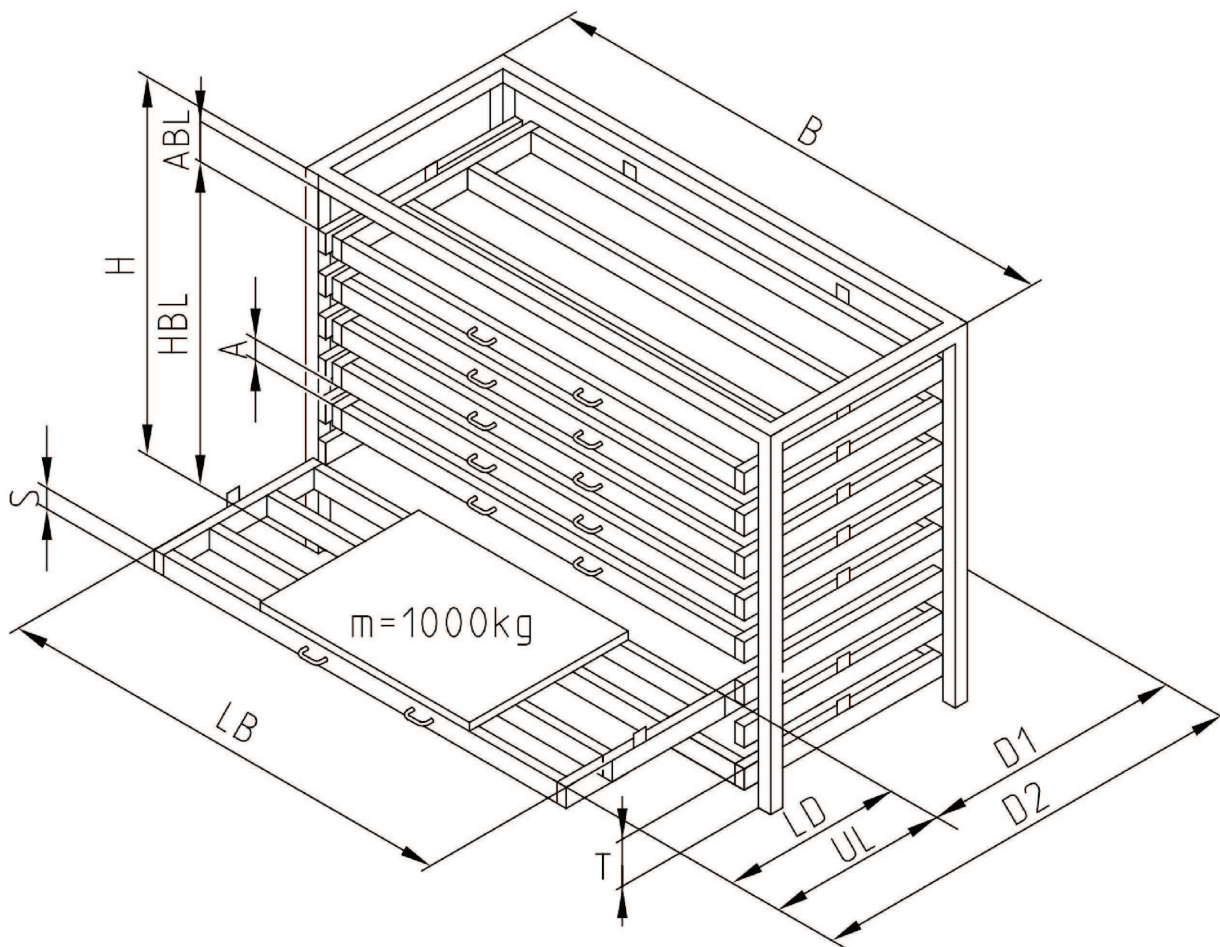


Ultra-B



LB	LD	H	B	D1	UL	D2	T	S
2200	1050	2170	2470	1150	1050	2255	149	65
2700	1300	2170	2970	1400	1300	2755	149	65
3200	1550	2170	3470	1650	1550	3255	149	65
4200	1550	2170	4470	1650	1550	3255	149	65

ULTRA-B UL=100%				
	m	A	HBL	ABL
8L	1000	170	1795	295
7L	1000	217	1842	248
6L	1000	264	1795	295
5L	1000	311	1654	436
4L	1000	405	1560	530
3L	1000	593	1466	624
2L	1000	922	1137	953

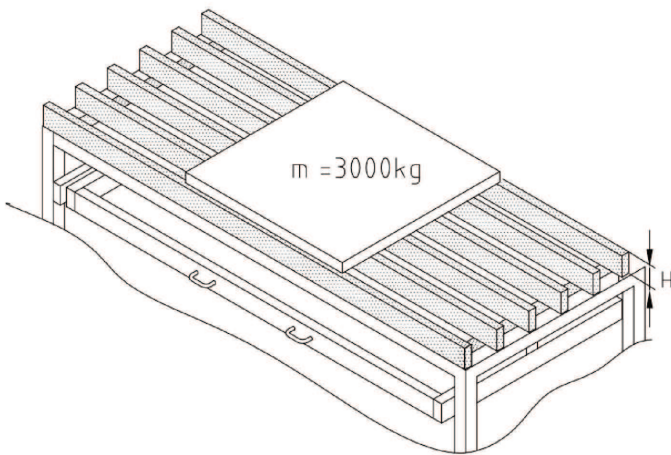
TYPE DESCRIPTION, TYPE AANDUIDING, TYPBEZEICHNUNG, TYPE INDICATION

ULTRA - 8L100B - 320 X 155

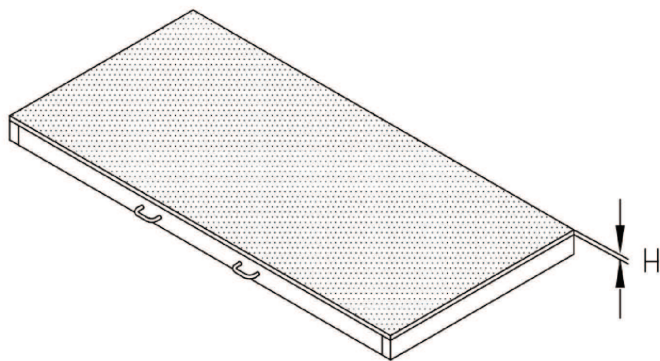
Alterations reserved/m = kg/<-mm->/ULTRA-001

Ultra

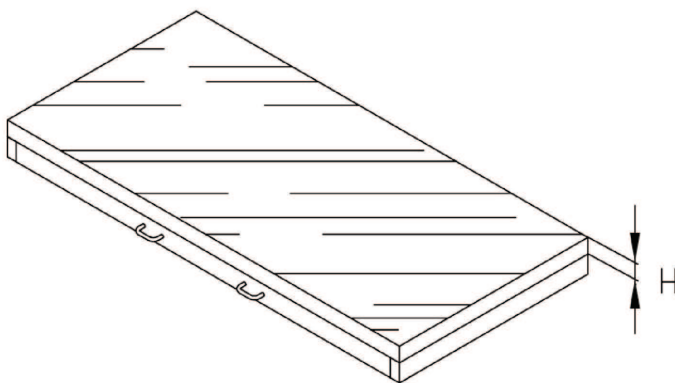
	m	H
ULTRA-TOP	350	3000



	H
ULTRA-S	2



	H
ULTRA-H	12



Alterations reserved/m = kg/<-mm->/ULTRA-001